



TEL:021-54179891 FAX:021-64124572

[HTTP://www.zeztek.com](http://www.zeztek.com)

EMAIL:elibinxiong@zeztek.com



产品目录
Product Catalog

Catalog of Products 2012 产品目录

POWER MANAGEMENT 电源管理类	1	PROGRAMMABLE UNIT 可编程类	10
DC/DC STEP-DOWN CONVERTER (降压型 DC/DC 转换器)	1	REMOTE CONTROLLER TYPE MCU (遥控类微控制电路).....	10
DC/DC STEP-UP CONVERTER (升压型 DC/DC 转换器).....	2	I/O TYPE MCU (I/O 型微控制电路).....	10
CMOS TYPE LDO LINEAR REGULATOR (CMOS 型低压差线性稳压器)	2	A/D TYPE MCU (A/D 型微控制电路).....	10
BIPOLAR TYPE LDO LINEAR REGULATOR (双极型低压差线性稳压器)	4	LCD TYPE MCU (LCD 型微控制电路).....	10
LOAD SWITCH (精密可调限制流负载开关).....	4	REAL TIME CLOCK (微功耗实时时钟)	10
PMU (电源管理单元,可定制).....	4	EEPROM 存储器类	11
LI-ION BATTERY CHARGER (锂电池充电芯片).....	4	SERIAL EEPROM (串行存储器).....	11
CHARGER OVP AND CHARGER MOSFET/PNP (充电过压保护、充电 MOSFET /PNP) ..	4	METERING 表计	11
THREE-TERMINAL POSITIVE REGULATOR (三端稳压器).....	5	ENERGY MEASUREMENT ASIC (电能计量专用电路).....	11
SHUNT REGULATOR (电压基准)	5	ENERGY MEASUREMENT SOC (电能计量集成芯片)	11
HIGH INTEGRATED PWM CONTROLLER (开关电源控制集成电路)	5	LCD DISPLAY DRIVER (液晶显示驱动)	12
VOLTAGE DETECTOR/RESET IC (电压检测器/复位 IC).....	5	RS-485 INTERFACE (RS-485 接口电路)	12
LED DRIVER & FLUORESCENT LIGHTING LED 驱动及荧光灯照明	5	RELAY DRIVER (磁保持继电器驱动).....	12
LED DRIVER (LED 驱动)	5	CONSUMER ELECTRONICS 消费电子类	12
CHARGE PUMP LED DRIVER (电荷泵型 LED 背光驱动电路).....	6	AUDIO (音频电路)	12
LINEAR CONSTANT LED DRIVER (线性恒流 LED 驱动电路)	6	HALF BRIDGE DRIVER (半桥电路驱动).....	12
STEP-UP WHITE LED DRIVER (升压型 LED 背光/照明驱动电路)	6	INFRARED REMOTE CONTROL (远程控制及遥控电路)	13
FLUORESCENT LAMP DRIVER (荧光灯驱动系列)	6	SMOKE DETECTOR 烟雾检测电路	13
POWER FACTOR CORRECTION CONTROLLER (功率因素校正控制器)	6	DISCRETE DEVICES 分立器件类	13
MOSFET 金属氧化物半导体场效应管	7	NPN SILICON EPITAXIAL TRANSISTOR (高频双极 NPN 晶体管).....	13
TELECOMM AND MOBILE 固定及移动通讯电路	8	INTRODUCTION OF SHANGHAI BELLING 上海贝岭简介	13
STANDARD INTERFACE CIRCUIT (标准接口电路)	8	BELLING SOLUTIONS 贝岭解决方案	14
HIGH SPEED INVERTER (单非门电路)	8	贝岭 IC 在智能电表中的应用	14
COMMUNICATION TERMINAL APPLICATIONS (通讯终端应用电路)	8	贝岭 IC 在手机中的应用.....	14
MULTIMEDIA SIGNAL CODEC (多媒体数字信号编解码)	8	贝岭 IC 在机顶盒中的应用.....	15
ANALOG SWITCH (模拟开关).....	8	贝岭 IC 在平板电视中的应用.....	15
TOUCH SCREEN CONTROLLER (触摸屏电路).....	9	INDEX OF PART NUMBER 型号索引	16
CLASS AB AUDIO AMPLIFIER (AB 类音频功放电路).....	9		
CLASS D AUDIO AMPLIFIER (D 类音频功放电路).....	9		
LOW POWER NARROW BAND FM IF (单片窄带调频接收电路).....	9		
VIDEO FILTER DRIVER (视频滤波驱动)	10		

Power Management 电源管理类

DC/DC Step-down Converter (降压型 DC/DC 转换器)

Part No.	Power switching	MODE	VIN	VOUT	IQ	FOSC	Eff.	Max. duty cycle	Accu.	IOUT	Package	Reference
BL3406B	Internal Power NMOS & PMOS	PWM /PFM	2.5~6V	1.0-3.3V ADJ(0.6~5V)	180μA	1.5MHz	96%	100%	±2%	800mA	SOT23-5 TSOT23-5	LTC3406 LTC3406B
BL8021	Internal Power NMOS & PMOS	PWM /PFM	MAX 7V	ADJ	35μA	1.5MHz	96%	100%	±2%	1.2A	SOT23-5	
BL8022	Internal Power NMOS & PMOS	PWM /PFM	MAX 7V	ADJ	35μA	1.5MHz	96%	100%	±2%	800mA	SOT23-5	
BL8076	Built-in MOSFET	PWM /PFM	2.6~6V	ADJ	30μA	3MHz	96%	100%	±2%	2A	SOT23-5 DFN2X2-8L	TPS62065
BL8091	Built-in MOSFET	PWM /PFM	4.5~18V, Max30V	ADJ	1.1mA	340KHz	95%	—	±2%	2A	SOP8 ESOP8	MP1482 RT8295
BL8516	Built-in NPN	PWM	3.6~20V	ADJ	2mA	1.2MHz	85%	85%	±2%	1.2A	SOP8	
BL8519	Built-in PFET	PWM	3.6~20V	ADJ	2mA	500KHz	>85%	97%	±2%	2A	SOP8	AP1534, MP1410 ACT4060
BLI9182	Built-in MOSFET Synchronous Step-Down Converter	PWM	-0.3V~20V	ADJ	1.3mA	340KHz		95%	±1.5%	2A	SOP8	MP1482
BLI9184	Built-in MOSFET Synchronous Step-Down Converter	PWM	-0.3V~20V	ADJ	1.3mA	340KHz		96%	±1.5%	3A	ESOP8	MP1484
BL8521	Internal Power NMOS & PMOS	PWM	3.6~5.5V (UVLO_fall: 1.98~2.37V)	0.8~Vin	500uA	1.4MHz	96%	100%	±2%	3A	DFN3X3-10L	
BL8523	PWM/PFM Step-down DC-DC Controller	PWM /PFM	3.0~16V	ADJ	80uA	500KHz	95%	100%	±2%	1A	SOT23-5	
BL8526	Internal Power NMOS & PMOS	PWM /PFM	2.6~6V	ADJ	450uA	0.4~2MHz	95%	100%		2A	SOP8	
BL8528B	Internal Power NMOS & PMOS	PWM	3.6~5.5V (UVLO_fall: 3~3.05V)	0.8~Vin	500uA	1.4MHz	96%	100%	±2%	3A	DFN3X3-10L	
BL8529	Internal Power NMOS & PMOS	PWM /PFM	2.6~6V	ADJ	450uA	0.4~2MHz	95%	100%		3A	DFN2X2-8L DFN3X3-10L	

>>> >>> >>> 1

Part No.	Power switching	MODE	VIN	VOUT	IQ	FOSC	Eff.	Max. duty cycle	Accu.	IOUT	Package	Reference
BL9310	Internal Power NMOS & PMOS	PWM /PFM	2.5~6V	1.0~3.3V ADJ(0.6~5V)	180μA	1.5MHz	96%	100%	±2%	1A	DFN2X2-6L MSOP10 SOT23-5 TSOT23-5	RT8016 SY8008B
BL9328A BL9328B	Dual Channel Internal Power NMOS& PMOS	PWM /PFM	2.5~6V	1.0~3.3V ADJ(0.6~5V)	180μA X 2	1.5MHz	96%	100%	±2%	800mA X2	ESOP8	SY8021L

DC/DC Step-up Converter (升压型 DC/DC 转换器)

Part No.	MODE	VIN	VOUT	IQ	FOSC	Eff.	Accu	Power switching	IOUT	Package	Reference
BL8505	PFM	0.8~5.5V	2.5~5V	40μA	150KHz	87%	±2%	Internal MOSFET	300mA	SOT89-3	
BL8530	PFM	0.8~5.5V	2.5~6V 100mV Step	4μA	350KHz	85%	±2%	Internal MOSFET	300mA	SOT89-3 SOT23-3 SOT23-5	XC6371A XC6372A
BL8534	PFM	0.8~5.5V	2.5~6V 100mV Step	4μA	350KHz	85%	±2%	Internal MOSFET	300mA	SOT89-3 SOT23-3 SOT23-5	XC6371A XC6372A
BL8530C	PFM	0.8~5.5V	2.5~6V 100mV Step	6μA	350KHz	90%	±2%	External MOSFET	-	SOT23-3 SOT23-5	
BL8542B	Sync Boost PWM	0.85~5.5V	2.5~5V	25μA	1.2MHz	95%		Internal Sync Rectifier	300mA	SOT23-5	

CMOS type LDO Linear Regulator (CMOS 型低压差线性稳压器)

Part No.	Features	VIN	VOUT	Accu	PSRR	IQ	IOUT(Max)	Package	Reference
BL8051	HV Three-terminal Positive Regulator	7~60V	3.3,5V,ADJ	±5%		80uA	100mA	TO92 SOT89-3 TO220	
BL8591	High PSRR, Fast Response	Max 14V	1.2~4.5V	±2%	66dB@100Hz	75μA	100mA	SOT23-3 SOT23-5 SOT89-3 SOT89-5 TO92	
BL8555	Low noise, High PSRR	Max 8V	1.2~5V	±2%	65dB@1KHz	25μA	150mA	SOT23-5 SC70-5	XC6212 XC6209 R1114X LP3985
BL8560	Dual Channels LDO	Max 8V	1.2~5V	±2%	65dB@1KHz	25μA	150mA x 2	SOT23-6	XC6401 R5325
BL8060	Low Power Consumption, Low Dropout Voltage	Max 12V	1.1~5.5V	±2%		1uA	200mA	SOT23-3 SOT23-5 TO92 SOT89-3	
BL8064	Low Power Consumption, Low Dropout Voltage	1.5~6V	1.1~5.5V	±2%		1uA	200mA	SOT23-3 SOT89-3 TO92	XC6206
BL8503	Low Dropout Voltage, Low Iq	Max 8V	1.2~6V	±2%/±1%		3μA	250mA	SOT89-3 SOT23-3 TO92	XC6206
BL9193	RF LDO, Ultra Low Noise, High PSSR	2~6V	1.2~5V,ADJ	±2%/±1%	80dB@217Hz 78dB@1KHz	90μA	300mA	SOT23-5 SC70-5	RT9193
BL9195	Ultra Fast, Ultra Low Noise, High PSSR	2~6V	1.2~5V	±2%/±1%	78dB@217Hz	90μA	300mA	SOT23-3 SOT89-3 SOT223-3	XC6206 RS7100 RT9166

Part No.	Features	VIN	VOUT	Accu	PSRR	IQ	IOUT(Max)	Package	Reference
BL9198	RF LDO, Ultra Low Noise, High PSRR	2~6V	1.2~5V	±2%/±1%	78dB@217Hz	90µA	300mA	SOT23-5 SC70-5	XC6219 XC6212 XC6209 R1114X
BL8567	Wide Input Voltage Range, Low Noise	Max 12V	2.5~5V	±2%	60dB@100Hz	8µA	300mA	SOT23-3 SOT89-3	AIC1734
BL8563	Low Noise, High PSRR	Max 6V	1.5~4.5V	±2%	73dB@100Hz	20µA	300mA	SOT23-5 SC70-5	XC6219 XC6212 XC6209 R1114X LP3985
BL8552	Low Dropout Voltage, Low Iq	Max 8V	1.2~3.6V	±2%	60dB@100Hz	2µA	300mA	SOT23-3	XC6206
BL8554	Low Noise, High PSRR	Max 6V	1~4.5V	±2%	70dB@100Hz	25µA	300mA	SC70-5 SOT23-5 SOT23-3	
BL8063	Low Noise, High PSRR	Max 6V	2~6V	±2%	74dB@100Hz	25µA	300mA	DFN1 x 1-4L SC70-5 SOT23-5	
BL9180	Dual Channels LDO	2~6V	1.2~5V	±2%/±1%	70dB@1KHz	90µAX2	300mA X 2	SOT23-6 ESOP8	XC6401 R5325 APE8837 APE8839A
BL8566	Dual Channels LDO	Max 6V	1.5~4.5V	±2%/±1%	73dB@100Hz	20µA	300mA x 2	SOT23-6	RT9011 XC6401
BL8553	Low Dropout Voltage, Low Iq	Max 8V	1.2~5V	±2%/±1%	60dB@100Hz	7µA	400mA	SOT89-3 SOT23-3	XC6203
BL8558	Low Noise, High PSRR	Max 8V	1.2~4.5V	±2%/±1%	66dB@100Hz	75µA	500mA	SOT89-3 SOT23-5	RT9013 RT9017
BL8565	Low Noise, Low Dropout, High PSRR	Max 6V	1.5~4.5V	±2%	73dB@100Hz	20µA	500mA	SOT89-3	
BL8568	Low Noise, High PSRR Fast Response	Max 6V	1.2~4.5V	±2%	72dB@1KHz	30µA	500mA	SC70-5 SOT23-5	
BL8569	Dual Channels LDO	Max 6V	1.2~4.5V	±2%	72dB@1KHz	30µA	500mA x 2	SOT23-6	
BL8069	Low Noise, Low Power Consumption, Low Dropout Voltage	Max 6V	1.5~4.5V	±2%	73dB@100Hz	20µA	600mA	SOT89-3	
BL8068	Low Power Consumption, Low Dropout Voltage	1.2~6V	1.2~4.5V	±2%	72dB@1KHz	30µA	700mA	SOT23-5 SC70-5	
BL9100	CMOS LDO With Programmable Input Current Limit Up To 1A	4.5~10V	2.8~4.8V	±1%	60dB@100Hz	300µA	1A max	SOP8 ESOP8	
BL9110	1A Very Low Dropout (350mV@1A) Low Noise Low Quiescent Current High PSRR	2.5~6V	1~5V,ADJ	±2%/±1%	70dB@100Hz	70µA	1A	DFN6 TO92 SOT89-3 SOT89-5 SOT223-3 SOT223-5 TO252-3 TO252-5 TO263-3 TO220-3	TPS73701 R1172x RP131x S1172 ME6100 G1117 AP2114
BL8559	2A CMOS , IQ26µA LDO	Max 6V	1.2~3.6V	±2%	60dB@100Hz	26µA	2A	SOT223 TO252	

*Ordered by IOUT

EMAIL:elibinxiong@zeztek.com

Bipolar Type LDO Linear Regulator (双极型低压差线性稳压器)

Part No.	Features	VIN	VOUT	Accu	IQ	IOUT(Max)	Package	Reference
BL1117	Bipolar, Low Dropout Voltage	Max 18V/15V	1.2,1.8,2.5,3.3,5V&ADJ	±1%/±2%	4mA/2mA	1A	SOT223 TO252	LM1117
BL1117C	Bipolar, Low Dropout Voltage	Max 15V	1.2,1.8,2.5,3.3,5V&ADJ	±1.5%/±2%	4mA/2mA	1A	SOT223 TO252	LM1117
BL1085	Bipolar, Low Dropout Voltage	Max 15V	1.8,2.5,3.3,5V&ADJ	±2%	4mA	3A	TO252 TO263	LM1085
BL1084	Bipolar, Low Dropout Voltage	Max 15V	1.8,2.5,3.3,5V&ADJ	±2%	5mA	5A	TO252 TO263	LM1084

Load Switch (精密可调限制流负载开关)

Part No.	VIN	IQ	Current Limit Threshold	Current Limit Accuracy	Power switch On Resistance	Package	Reference
BL2553	2.5~5.5V	120μA	75mA~1.7A	±5%	95mΩ	DFN2X2-6L	
BL2555	2.5~5.5V	320μA	75mA~1.7A	±5%	95mΩ	DFN2X2-6L	

PMU (电源管理单元,可定制)

Part No.	Configuration	MODE	VIN	IQ	FOSC	Eff.	FB Voltage	IOUT	Package	Reference
PM1299A	1x1A Sync Buck 1x1A Buck/Boost 1x 500mA LDO	PWM	3~5.5V	10mA	200KHz	96%	0.6V	DC/DC: Max 1A LDO: 500mA	QFN3x3-16L	
XX1188	1x 500mA Sync Buck 4x 300mA LDO 2x 150mA LDO 3x 50mA LDO 1x RTC Driver	PWM	3~5.5V	500uA	2MHz		0.6V	DC/DC: Max 600mA LDO: 300mA 150mA 50mA	QFN4x4-28L	

Li-ion Battery Charger (锂电池充电芯片)

Part No.	Features	VIN	Series Cells	Max Charger	Charger type	Output Accu.	Package	Reference
BL8572	USB Charger, C/10 Charger Termination	4.25~6V	1	500mA	Linear	4.2V±1%	SOT23-5	LTC4054
BL4054	Temperature Regulation, Trickle Charge, C/10 Charge	4.5~10V	1	800mA	Linear	4.2V±1% 4.3V±1%	SOT23-5	LTC4054
BL4054B	Termination, Reverse Protection, USB Compliant					4.4V±1%	TSOT23-5	
BL4056	1A Lithium Ion Battery Linear Charger	4~8V		1A	Linear	4.2V±1%	ESOP8	

Charger OVP and Charger MOSFET/PNP (充电过压保护、充电 MOSFET /PNP)

Part No.	Features	VIN/Vceo/Vds	RDS(on)(Max)	Iout(Max)	OVLO	Vout	Package	Reference
BL8592	LDO Mode Overvoltage Protector	Max 15V		500mA			SOT23-5 DFN2x2-8L	
BL8593	P-Channel MOSFET With 0.12V Schottky Diode	Max 12V	1.2Ω	800mA			DFN2x2-6L SC70-6	MC3117 Si5853
BL8595	20V/1A PNP With Built In N-MOSFET	Max 20V		1A			SOT23-6	
BL8596	LDO Mode OVP With Integrated P-MOSFET	MAX15V	0.75Ω	1A		5.5V	DFN2x2-8L SOT23-6	
BL8598	High Accuracy Adjustable Overvoltage Protector	Max 28V	180mΩ	1A	6.75V		DFN2x2-8L	MAX14528

Three-terminal Positive Regulator (三端稳压器)

Part No.	Features	VIN	VOUT	Accu	IQ	IOUT(Max)	Package	Reference
BL78LXX	Three-terminal Positive Voltage Regulator	Max 35V	5,6,8,9,10,12,15,24V	±2%	2mA	100mA	SOT89-3 TO92	
BL78MXX	Three-terminal Positive Voltage Regulator	Max 35V	5,6V	±4%	4mA	500mA	TO252	
BL78M09	Three-terminal Positive Voltage Regulator	Max 40V	9V	±4%	4.2mA	1A	TO252	
BL78XX	Three-terminal 1A Positive Voltage Regulator	Max 35V	5,6,8,9,12,15V	±4%	5mA	1A	TO220	
BL317	High Current Adjustable Voltage Regulator	Max 37V	ADJ	1%	50uA	1A	TO220	LM317

Shunt Regulator (电压基准)

Part No	VKA	IKA	VREF	Voltage Tolerance	Minimum Cathode Current for Regulation IKA(MIN)	Package	Reference
BL431	Max 37V	-10~150mA	2.5V	0.5%	400uA	TO92	
BL431	Max 37V	-10~150mA	2.495V	1.0%	400uA	SOT23-3	

High Integrated PWM Controller (开关电源控制集成电路)

Part No.	Features	VIN	Freq(max)	Reference Voltage	Duty(max)	IQ	Limit IPK(max)	Package	Reference
BL8080	High Integrated PWM Controller	5.5~9V	48KHz	2.5V	75%	3.5mA	600mA	SOT23-6	

Voltage detector/Reset IC (电压检测器/复位 IC)

Applications: CPU and Logic circuit Reset, Power failure detector, Battery checker

Part No.	VIN	VDET	IQ	Accu	Output type	Package	Delay Time	Reference
BL8504	0.7~10V	0.9~6V (Step0.1V)	0.5μA	±3%	NMOS Open Drain, Hysteresis 4%	SOT23-3	N/A	
BL8506	0.7~10V	0.9~6V (Step0.1V)	0.5μA	±2%	CMOS Or NMOS Open Drain, Hysteresis 4%	SOT23-3 SOT89-3 SOT23-5	N/A	R3111 MAX808
BL8509	0.7~10V	0.9~6V (Step0.1V)	0.5μA	±2%	CMOS Or NMOS Open Drain, Delay 200ms	SOT23-3 SOT23-5	200ms	R3110 MAX809

LED Driver & Fluorescent Lighting LED 驱动及荧光灯照明

LED driver (LED 驱动)

Application: LED lighting driver

Part No.	Features	MODE	VIN	IOUT	Current Accuracy	Eff %	IQ	Package	Reference
BL8585	Wide input voltage range LED Driver	Linear	5~90V	40mA (Max)	±10%			TO92	CL2
BL9580	High Brightness Step-down LED Driver With Internal Switch Driving Up to 9 High Power LEDs, Operating Temperature range: -40~125°C	Hysteretic Control, 1MHz max	6~36V	1.4A	±3%	95%	50μA	SOP8	AT1318-SOP8
BL9581			6~36V	1.2A	±3%	95%	50μA	SOT23-5	ZXLD1360 ZXLD1350
BL9582			6~32V	1.4A	±4%	95%	50μA	SOT89-5	PT4115

EMAIL: elibinxiong@zezteck.com

Charge Pump LED Driver (电荷泵型 LED 背光驱动电路)

Application: LED Backlight

Part No.	MODE	VIN	No. Channels	Driving Current	Freq	Accuracy	Channel Matching	Package	Reference
BL8587 BL8588	1 X/1.5 X Charge Pump	2.7~5.5V	4	20mA x 4	1 MHz	5%	3%	QFN16	CP2133

Linear Constant LED Driver (线性恒流 LED 驱动电路)

Application: LED Backlight or LED Display

Part No.	MODE	VIN	No. Channels	Driving Current	Freq. (MHz)	Accu.	Channel Matching	Package	Application	Reference
BL8580	Linear	2.7~6V	3	20mAx3	N/A	±3%	N/A	SOT23-6	LED Backlight	AMC7110
BL8582	Linear	2.8~5.5V	3	20mAx3	N/A	±3%	±3%	SOT23-6	LED Backlight	
BL8581	Linear	2.8~5.5V	4	20mAx4	N/A	±3%	±3%	MSOP8	LED Backlight	AMC7111
BL8581A	Linear	2.8~5.5V	4	20mAx4	N/A	±3%	±3%	QFN16	LED Backlight	KTD108
BL8584	Linear	2.8~5.5V	6	20mAx6	N/A	±3%	±3%	QFN16	LED Backlight	
BL8088	Linear	2.7~5.5V	8	20mAx8	N/A	±3%	N/A	QFN16	LED Backlight	
BL8583	Linear	2.8~6.5V	3	30mAx3 (Max)	15	N/A	N/A	SOP14	LED Display	
BL8586	Linear	2.8~6.5V	6	30mAx6 (Max)	15	N/A	N/A	SSOP20	LED Display	2QL9712
BL8589	Linear	2.8~5.5V	16	50mAx16 (Max)	25	±1%	±1.5%	SSOP24 QFN24	LED Display	MBI5024 MBI5026
BL8585	Linear	5~90V	1	40mA(Max)	N/A	±10%	N/A	TO92	LED Lighting	CL2

*Order by Application, No. Channels

Step-up White LED Driver (升压型 LED 背光/照明驱动电路)

Applications: Step-up converter to drive white-LED, constant current output, LED backlight

Part No.	MODE	VIN	VOU	IQ	FOSC	Eff.	FB Voltage	Package	Application
BL8532	PFM	0.8~6V	7V Max	20μA	350KHz	87%	200mV	SOT89-5	Step-up Converter To Drive One Or Two 1W White LEDs
BL8545	VFM	2~6V	24V Max	93μA	3MHz	80%	200mV	SOT23-6	LED Backlight
BL8546	PFM	2~6V	24V Max	93μA	3MHz	80%	1.2V	SOT23-6	LED Backlight

Fluorescent Lamp Driver (荧光灯驱动系列)

Part No.	Applications	Main Features	Preheat	Freq. (KHz)	Package
BL8305A	Ballast	Driving Both MHF And BHF, Preheat Time And Run Frequency And Comprehensive Protection, Automatically Adjusting The BCI Of BHF	Freq. Programmable	10~300	PDIP14 SOP14

Power Factor Correction Controller (功率因素校正控制器)

Part No.	Features	VCC	Start up Current	UVLO Voltage	Package	Reference	Application
BL8308	Transition Mode PFC Controller	9.5~24V	45uA(typ.)	9.5V(typ.)	SOP8 DIP8	L6562 L6561	LCD TV, LED Lighting, PC SMPS

>>> >>> >>> 6

MOSFET 金属氧化物半导体场效应管

Applications: (1)Relay driver, (2)High speed and line transformer drivers, (3)Charger, (4)Switching regulators, (5)Converters, (6)Motor drivers, (7)Low voltage, low current switching, (8)Lighting and ballast driver, (9)PDP driver.

Part No.	Mode	VDS(Max)	ID(Max)	RDS(on)(Max)	Package	Reference	Application
BLM2305	P-Channel	-12V	-3.8A	38~61mΩ	SOT23-3	APM2305 SI2305	(1) (2) (7)
BLM2301	P-Channel	-20V	-3A	60~75mΩ	SOT23-3	APM2301 SI2301	(1) (2)
BLM4435	P-Channel	-20 V	-9.1A	15mΩ	SOP8		(1) (2)
BLM3407	P-Channel	-30V	-4.1A	55mΩ	SOT23	2307	(1) (2)
BLM3401	P-Channel	-30V	-4.2A	50mΩ	SOT23	2303	(1) (2)
BLM3407A	P-Channel	-30V	-4.3A	50mΩ	SOT23	2307	(1) (2)
BLM3401A	P-Channel	-30V	-4.4A	45mΩ	SOT23	2303	(1) (2)
BLM4953	Dual P-Channel	-30V	-5.1A	48mΩ	SOP8	SI4953	(1) (2) (8)
BLM4953A	Dual P-Channel	-30V	-5.1A	48mΩ	SOP8	SI4953	(1) (2) (8)
BLM9435A	P-Channel	-30V	-5.3A	43mΩ	SOP8	SI9435	(1) (2)
BLM9435	P-Channel	-30V	-5.4A	43mΩ	SOP8	SI9435	(1) (2)
BLVP304	P-Channel	-300V	-170mA	17Ω	TO92	BSP304	(1) (2)
BLM2302	N-Channel	20V	3.2A	50~65mΩ	SOT23-3	SI2302	(1) (2) (7)
BLV7002	N-Channel	60V	115mA	5Ω	SOT23-3	2N7002	(7)
BLM6005	Dual N-Channel	60V	4.5A	38mΩ	SOP8		(1) (2)
BLV108	N-Channel	200V	300mA	5Ω	TO92	BS108	(1) (2)
BLV297	N-Channel	200V	650mA	2Ω	TO92	BSP297	(1) (2)
BLV640	N-Channel	200V	18A	0.18Ω	TO220-FP TO220-AB	IRF640	(1) (4) (5) (6) (8)
BLV40N20	N-Channel	200V	40A	0.05Ω	TO220-F		(9)
BLV88N30	N-Channel	300V	88A	0.048Ω	TO247		(9)
BLV730	N-Channel	400V	5.5A	1Ω	TO220-FP TO220-AB	IRF730	(1) (4) (5) (6) (8)
BLV740	N-Channel	400V	10A	0.55Ω	TO220-FP TO220-AB	IRF740	(1) (4) (5) (6) (8)
BLV830	N-Channel	500V	4.5A	1.5Ω	TO220-FP TO220-AB	IRF830	(1) (4) (5) (6) (8)
BLV840	N-Channel	500V	8A	0.85Ω	TO220-FP TO220-AB	IRF840	(1) (4) (5) (6) (8)
BLV1N60A	N-Channel	600V	0.5A	15Ω	TO92		(1) (3) (4) (5) (6)
BLV1N60	N-Channel	600V	1A	8Ω	TO251 TO252	FQB1N60	(1) (3) (4) (5) (6)
BLV2N60	N-Channel	600V	2.4A	4.4Ω	TO251 TO252 TO220-AB TO220-FP	FQB2N60	(1) (3) (4) (5) (6)
BLV4N60	N-Channel	600V	4.4A	2.2Ω	TO220-FP TO220-AB	FQB4M60	(1) (3) (4) (5) (6)
BLV6N60	N-Channel	600V	6A	1.2Ω	TO220-FP TO220-AB	FQB6N60	(1) (4) (5) (6)
BLV7N60	N-Channel	600V	7A	1Ω	TO220-FP TO220-AB	FQB7N60	(1) (4) (5) (6)

*Order by VDS(Max), ID(Max)

>>> >>> >>> 7

Telecomm and Mobile 固定及移动通讯电路

Standard Interface Circuit (标准接口电路)

Part No.	Features	Standard	VDD	ICC	Package	Range of Temp.	Reference
BL1501	4-Channel Differential Line Driver	RS-422	5V	0.8mA	SOP16	-40~+85°C	26C31
BL1502	4-Channel Differential Line Receiver	RS-422	5V	16mA	SOP16	-40~+85°C	26C32

High Speed Inverter (单非门电路)

Part No.	Features	VIN	VOU	TPD	PD	IQ	IOUT(Max)	Package	Reference
BL8070	CMOS Single Inverter Gate.	2~6V	0~6V	8.5nS	200mW	1uA	±16mA	SC70-5	

Communication Terminal Applications (通讯终端应用电路)

Part No.	Features	VDD	Package	Reference
BL1101	Dialer Control Circuit	2~5.5V	PDIP18	W91330
BL1102	Dialer Control Circuit	2~5.5V	PDIP22	W9145
BL1110A	Low Voltage Transmission Circuit With Dialer Interface	2~5.5V	SOP14	TEA1110A
BL1240	Telephone Tone Ringer	60~90V	PDIP8 SOP8	LS1240
BL34018	Voice Switched Speakerphone Circuit	6~11V	SOP28 DIP28	MC34018
BL34118	Voice Switched Speakerphone Circuit	3~6.5V	DIP28 SOP28	MC34118

Multimedia Signal Codec (多媒体数字信号编解码)

Applications: A-law monolithic PCM CODEC/filter with A/D and D/A converter and a serial PCM interface. Used in switch, voice card and so on.

Part No.	Features	VDD	Package	Reference
BL1302A57	A-law Monolithic PCM CODEC/filter With A/D And D/A Converter And a Serial PCM Interface.	±5V	DIP16 SOP16	TP3057
BL1302A67	A-law Monolithic PCM CODEC/filter With A/D And D/A Convertor And a Serial PCM Interface.	±5V	DIP20 SOP20	TP3067

Analog Switch (模拟开关)

Part No.	Mode	Features	VDD	Package	Reference	Applications
BL1551	SPDT	2.7Ω 300MHz Low-Voltage Analog Switch	1.8~5.5V	SC70-6	FSA3157 NLASB3157 FSA4157	Mobile Phone, PDA
BL4684C	Dual SPDT	0.4Ω 27MHz Analog Switch	1.65~5.5V	CSP10	PI5A4684 MAX4684	Mobile Phone, PDA
BL1554	4 SPDT	0.4Ω 42MHz Analog Switch	1.6~4.2V	TQFN16	NLAS3699 FSA2469 PI3A412	Mobile Phone, PDA
BL1530	DPDT	High Speed USB 2.0(480Mbps)	2.3~5 V	UTQFN10	SGM7222 FSUSB30	Mobile phone, DC and Notebook
BL1532	DPDT	High Speed USB 2.0(480Mbps)	2.3~5V	UTQFN10 MSOP10	SGM7227 FSUSB42	Mobile phone, DC and Notebook
BL1533	4 SPDT	5.0Ω 500MHz Analog Switch	4~5.5V	SOP16 SSOP16	PI5V330 FSAV330 TS5V330	LCD TV, STB, DVD
BL3257	4 SPDT	Quad SPDT Analog Switch	4~5.5V	SOP16 SSOP16	CBT3257 FST3257	LCD TV, STB, DVD

Touch Screen Controller (触摸屏电路)

Part No.	Features	VDD	Package	Reference
BL2046	Low Voltage I/O Touch Screen Controller	2.2~5.5V	QFN16	TSC2046 AK4182 MT6301

Class AB Audio Amplifier (AB 类音频功放电路)

Applications: (1)Mobile phone, (2)Cordless Phone, (3)PDA and handheld terminal, (4)MP3/MP4 player, (5)Digital Photo Frame, (6)GPS/PND, (7)USB Speaker, (8)Portable DVD, (9)MID/UMPC, (10)TV.

Part No.	Features	Output	PSRR	VDD	Package	Applications	Reference
BL34119	Low Power Audio Amplifier	400mW		2~16V	SOP8 TSSOP8	(2)	MC34119
BL8602	Low Power Audio Amplifier	400mW		2~16V	DIP8 SOP8 TSSOP8	(2)	KA8602
BL6213	Audio Power Amplifier	1.20Watt	70dB	2.2~5.5V	NLGA9L	(1) (3)	
BL6211	Fully Differential Audio Amplifier With Internal Feedback Resistors	1.25 Watt	86dB	2.2~5.5V	MSOP8 CSP9	(1)	TPA6211
BL6203	Fully Differential Audio Power Amplifier	1.25 Watt	90dB	2.2~5.5V	CSP8	(1)	TPA6203 TPA6201
BL6290	Audio Power Amplifier	1.25 Watt	64dB	2.2~5.5V	MSOP8 SOP8	(3) (4)	LM4990
BL6212	Audio Power Amplifier	1.3Watt	68dB	2.2~5.5V	CSP9 MSOP8 DFN8	(1) (3)	LM4990 NCP2890
BL4863	Audio Power Amplifier Plus Stereo Headphone Function	2.2 Watt x2	73dB	2~5.5V	TSSOP20 DIP16 SOP16	(5) (6) (8) (9)	LM4863
BL4863B	Audio Power Amplifier Plus Stereo Headphone Function	2.5 WattX2	60dB	2~5.5V	SOP16	(7)	LM4863

*Order by Output Watt

Class D Audio Amplifier (D 类音频功放电路)

Applications: (1)Mobile phone, (2)Cordless Phone, (3)PDA and handheld terminal, (4)MP3/MP4 player, (5)Digital Photo Frame, (6)GPS/PND, (7)USB Speaker, (8)Portable DVD, (9)MID/UMPC, (10)TV.

Part No.	Features	Output	PSRR	VDD	Package	Applications	Reference
BL6312	Stereo Filter-Free Class D Audio Power Amplifier	2.5 W x2	75dB	2.2~5.5V	QFN20	(1) (5) (6) (8)	TPA2012
BL6305	Mono Filter-Free Class D Audio Power Amplifier	2.6 W	75dB	2.5~5.5V	MSOP8 DFN8 SOP8	(5) (6) (7) (8)	TPA2005
BL6311B	Mono Filter-Free Class D Audio Power Amplifier	3.0 W	75dB	2.5~5.5V	CSP9	(1) (3) (6) (8)	TPA2010 NCP2820
BL6331	Mono Non-clip Class D Audio Power Amplifier	3.0 W	80dB	2.5~5V	CSP9	(1) (3) (6) (8)	YDA145
BL6332	Mono Non-clip Class D Audio Power Amplifier	3.0 W	80dB	2.5~5V	CSP9	(1) (3) (6) (8)	AW8110
BL6352	Stereo Class D Audio Power Amplifier	10Wx 2	52dB	10~26V	TSSOP-24	(7)(10)	TPA3124

*Order by Output Watt

Low Power Narrow Band FM IF (单片窄带调频接收电路)

Part No	Vcc	Input Limiting Voltage	Squelch Current	Total Harmonic Distortion	Drop Voltage AF Gain Loss	Signal to Noise Ratio	Filter Gain	Package	Reference
BL3361	2~8V	2μV	3.9mA	0.8%	-0.6dB	67dB	50dB	SOP16	MC3361

>>> >>> >>> 9

Video Filter Driver (视频滤波驱动)

Part No.	Features	-3dB BandWidth	VDD	ESD	Package	Applications	Reference
BL1513	3 Channel 5 th Order Standard Definition Video Filter Driver	7.5MHz	3.3~5.5V	8KV	SOP8 MSOP8	Set Top Box	SGM9119
BL1511	1 Channel 5 th Order Standard Definition Video Filter Driver	7.5MHz	3.3~5.5V	8KV	SOT23-5	Set Top Box	SGM9113
BL1516	3 Channel 3 rd Order High Definition Video Filter Driver	35MHz	3.3~5.5V	8KV	SOP8	Set Top Box	SGM9116

Programmable Unit 可编程类

Remote Controller Type MCU (遥控类微控制电路)

Part No.	VDD	ROM	RAM	TIMER	OSC	I/O	SCI/IR	PKG	INT	OTHER
BL35P02	2~3.6V	2K x8 OTP ROM	32B	1 x8bit	325kHz~8MHz	14	1 xIR	SOP20 SOP16	2	STOP, WAIT, KEYBOARD INT
BL35P02R	2~3.6V	2K x8 OTP ROM	32B	1 x8bit	325kHz~8MHz IRC 4MHz	16	1 xIR	SOP20 SOP18 SOP16	2	STOP, WAIT, KEYBOARDINT, INTERNAL NOMS REPLACE BJT

I/O Type MCU (I/O 型微控制电路)

Part No.	VDD	ROM	RAM	TIMER	OSC	I/O	WDT	PKG	INT	OTHER
BL22P02	2~5.5V	2K x8 OTP ROM	64B	1 x8bit	DC~4MHz IRC2/4/6MHz	18	Yes	SOP20 SOP18 SOP14 SOP8	3	PULLUP&PULLDOWN,STOP,WAIT,KEYBOARDINT,IN-RC

A/D Type MCU (A/D 型微控制电路)

Part No.	VDD	ROM	RAM	TIMER	OSC	I/O	ADC/DAC	WDT	PKG	INT	OTHER
BL22P64	2.7~5.5V	4K x8 OTP ROM	208B	2 x8bit	DC~4MHz	18	9 x10bit ADC / 8bit PWM	Yes	SOP20 DIP20	4	LVR,STOP,WAIT,PULLUP,IN-RC,EX-RC, PWM

LCD Type MCU (LCD 型微控制电路)

Part No.	VDD	ROM	RAM	TIMER	I/O	LCD	WDT	PKG	INT	OTHER
BL22P14	2.5~5.5V	4K x8 OTP ROM	128B	1 x8bit/1 x16bit	14	18 x4/19 x3	Yes	SSOP48 LQFP48 SOP28 SOP24	7	STOP,BUZZ,EX-RC

Real Time Clock (低功耗实时时钟)

Part No.	Alarm Sets	Periodic	Standby	32KHz Clock	Clock Adj.	I/O	Clock VDD	Work VDD	Package	Reference
BL5372	2	2Hz to 1 Month	400nA @5.0V	Open Drain	Yes	Two-wire Serial	1.8~5.5V	1.8~5.5V	SOP8 TSSOP8	5C372
BL8025T	2	2Hz to 1 Month	400nA @3.6V		Yes	Two-wire Serial	1.2~5.5V	1.8~5.5V	Module	RT8025T

EEPROM 存储器类

Serial EEPROM (串行存储器)

Part No.	Capacity	Interface	VDD	Package	Reference
BL24C02	2K bits	Two-wire Serial	1.8~5.5V	DIP8 SOP8 TSSOP8	24C02
BL24C04	4K bits	Two-wire Serial	1.8~5.5V	DIP8 SOP8 TSSOP8	24C04
BL24C08	8K bits	Two-wire Serial	1.8~5.5V	DIP8 SOP8 TSSOP8	24C08
BL24C16	16K bits	Two-wire Serial	1.8~5.5V	DIP8 SOP8 TSSOP8	24C16
BL24C32	32K bits	Two-wire Serial	1.8~5.5V	DIP8 SOP8 TSSOP8	24C32
BL24C64	64K bits	Two-wire Serial	1.8~5.5V	DIP8 SOP8 TSSOP8	24C64
BL24C128	128K bits	Two-wire Serial	1.8~5.5V	DIP8 SOP8 TSSOP8	24C128
BL24C256	256K bits	Two-wire Serial	1.8~5.5V	DIP8 SOP8 TSSOP8	24C256
BL93C46	1K bits	Three-wire Serial	1.8~5.5V	DIP8 SOP8 TSSOP8	93C46
BL93C56	2K bits	Three-wire Serial	1.8~5.5V	DIP8 SOP8 TSSOP8	93C56
BL93C66	4K bits	Three-wire Serial	1.8~5.5V	DIP8 SOP8 TSSOP8	93C66

Metering 表计

Energy Measurement ASIC (电能计量专用电路)

Part No.	Meter	Measurement	Power consumption	Anti-Tamper	Output	Clock	VDD	Package	Reference
BL0921	Single	Active	25mW	2 Channels	Pulse	Internal	5V	SOP16	
BL0930	Single	Active	15mW	Reverse Indication	Pulse	Internal	5V	SOP16	ADE71056
BL6503	Single	Active	15mW	Reverse Indication	Pulse	3.58MHz	5V	SSOP24	ADE7755
BL6501A	Single	Active	15mW	2 Channels	Pulse	3.58MHz	5V	SSOP24	ADE7751
BL6523A(E)	Single	Multifunction (Active 2000:1, I, V, PF, Freq.)	25mW	2 Channels	Pulse, SPI	3.58MHz	5V	SSOP24	
BL6527	Single	Multifunction (Active 3000:1, I, V, PF, Freq.)	25mW	2 Channels	Pulse, SPI	3.58MHz	5V	SSOP24	BL6523A
BL6525	Single	Multifunction (Active1000:1, I, V, VA.)	20mW	Reverse Indication	Pulse	Internal	5V	SOP16	
BL6513	Three	Active	25mW	Reverse Indication By Any	Pulse	2.5~4MHz	5V	SOP24	ADE7752A
BL6522	Three	Multifunction (Active 1000:1, I, V, PF, Freq.)	40mW	Reverse Indication By Any	Pulse, SPI	3.58MHz	5V	LQFP44	

*Order by Meter type

Energy Measurement SoC (电能计量集成芯片)

Part No.	Measurement Features	MCU	LCD	Flash	SRAM	RTC	I2C	WDT	I/O	Channels of ADC	VDD	Package
BL6533	Single Phase, Active	HC05	18 x4	4KB OTP	128B	N/A	Yes	Yes	14	2	5.0V	LQFP64

LCD Display Driver (液晶显示驱动)

Part No.	Features	IDD (Power Saving)	IDD (Normal Mode)	I/O	VDD	Package	Reference
BL55024	4x15 Segments	7 μ A@3.3V	16 μ A@5V	Two-wire Serial	2.5~5.5V	SOP24	
BL55028	4 x19 Segments	7 μ A@3.3V	16 μ A@5V	Two-wire Serial	2.5~5.5V	SOP28	
BL55066	4 x24 Segments	8 μ A@3.3V	22 μ A@5V	Two-wire Serial	2.5~5.5V	LQFP44	PCF8566
BL55070	4 x35 Segments	9 μ A@3.3V	30 μ A@5V	Two-wire Serial	2.5~5.5V	LQFP44 SSOP48	
BL55076	4 x40 Segments	9 μ A@3.3V	36 μ A@5V	Two-wire Serial	2.5~5.5V	LQFP64	PCF8576
BL55077	4 x40 Segments	9 μ A@3.3V	32 μ A@5V	Two-wire Serial	2.5~5.5V	LQFP64	PCF8576
BL55087	4 x35 Segments	9 μ A@3.3V	32 μ A@5V	Two-wire Serial	2.5~5.5V	LCD COG	

Order by LCD Segments

RS-485 Interface (RS-485 接口电路)

Part No.	Features	Standard	VDD	ICC	Package	Max. points	Range of Temp.	Reference
BL3085A	10KV ESD Protected, High-speed Transceivers	RS-485	5V	0.3mA	SOP8	256	-40~+85 $^{\circ}$ C	MAX3085
BL3085E	15KV ESD Protected, High-speed Transceivers	RS-485	5V	0.3mA	SOP8	256	-40~+85 $^{\circ}$ C	MAX3085

Relay Driver (磁保持继电器驱动)

Application: Pre-paid meter system or Power switch.

Part No.	Features	Standby	Input Mode	Output	VDD	Package
BL8023	Bidirectional Relay Driver	10nA	(1)Pulse (100ms) (2)Voltage	300mA (type)	5~16V	DIP8 SOP8

Consumer Electronics 消费电子类

Audio (音频电路)

Part No.	Features	VDD	Package	Reference
BL0306	Digital Echo/Delay For Karaoke Or Similar Application	4~5.5V	PDIP36	M50195P
BL3102	Low Voltage BBD Clock Generator/Driver	4~10V	PDIP8	MN3102
BL3207	1024 Level Low Noise Low Voltage BBD	4~10V	PDIP8	MN3207
BL3208	2048 Level Low Noise Low Voltage BBD	4~10V	PDIP8	MN3208

Half Bridge Driver (半桥电路驱动)

Applications: Electric tools, e-bike, Lighting (HID and Ballast), DC Variable Frequency motor, etc.

Part No.	Voltage Rating	VIN	Driving Sink Current	Driving Source Current	Dead Time	IQ	Package	Reference
BL8003L	100V	10~16V	430mA	210mA	600ns	0.15mA	SOP8	
BL8003	600V	10~16V	200mA	150mA	700ns	1.5mA	SOP8	IR2103

>>> >>> >>> 12

Infrared Remote Control (远程控制及遥控电路)

Part No.	Features	VDD	Package	Reference
BL9148	IR Transmitter That Supports 63 Continuous Commands 12 Single-shot Keys, And Works With Receiver BL9149	2.2~5.5V	DIP16 SOP16	TC9148
BL9149	IR Receiver That Controls 10 Keys, Parallel Output Up To 5 Functions, And Works With Transmitter BL9148	4.4~5.5V	DIP16 SOP16	TC9149

Smoke Detector 烟雾检测电路

Part No.	Features	Hush	Output Signal	Standby Current	UL Certified	Package
BL5910	Photoelectric Type With I/O	N/A	Continuous Alarm	10μA	Pass	DIP16 SOP16
BL5912	Photoelectric Type With I/O	N/A	Temporal Alarm	10μA	Pass	DIP16 SOP16
BL5918	Ionization Type With Interconnect and Temporal Horn Driver	N/A	Temporal Alarm	5μA	Not yet	DIP16
BL5965	Photoelectric Type With I/O	Yes	Continuous Alarm	6μA	Pass	DIP16 SOP16
BL5966	Photoelectric Type With I/O	Yes	Temporal Alarm	6μA	Pass	DIP16 SOP16

Discrete Devices 分立器件类

NPN Silicon Epitaxial Transistor (高频双极 NPN 晶体管)

Part No.	Polarity	VCEO(Max)	IC(Max)	fT(Typical)	Package	Reference	Application
BLH4083	NPN	12V	80mA	3.0GHz	SOT23	2SC4083	LNA
BLH4083B	NPN	15V	80mA	3.0GHz	SOT23	2SC4083	LNA
BLH3355	NPN	12V	200mA	4.5GHz	TO92	2SC3355	LNA
BLH3356	NPN	12V	100mA	5.0GHz	SOT23	2SC3356	LNA
BLH3356B	NPN	12V	200mA	4.5GHz	SOT23	2SC3356	LNA
BLH4901B	NPN	14V	100mA	5.5GHz	SOT323	2SC4901	LNA
BLH4901C	NPN	9V	100mA	6.0GHz	SOT323	2SC4901	LNA

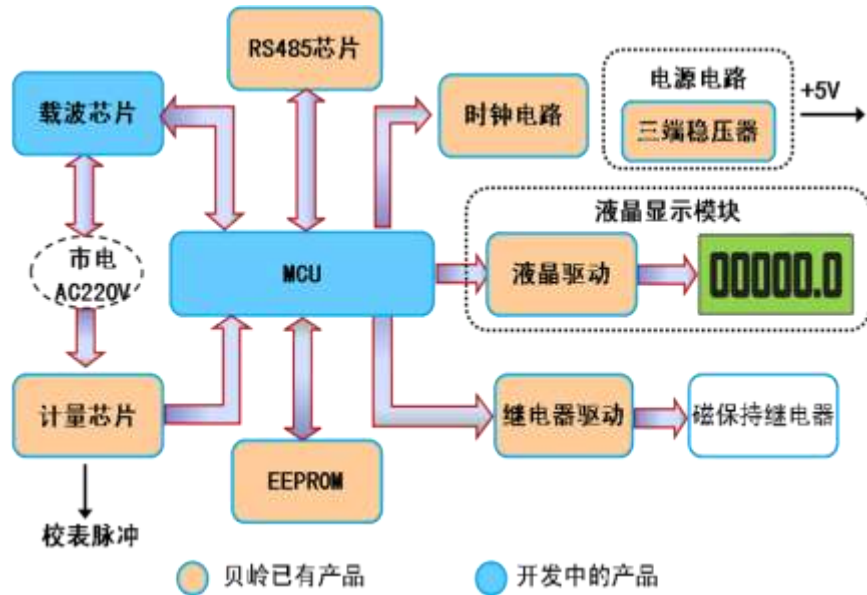
Introduction of Shanghai Belling 上海贝岭简介

- 上海贝岭公司创建于 1988 年，是国内第一家微电子行业合资企业。成立初期即引进国外先进技术和质量管理体系，以可靠的产品质量树立长久的品牌形象。1998 年公司改制上市，成为中国微电子行业第一家上市公司（股票代码：600171）。2009 年 7 月，CEC（中国电子信息产业集团公司）成为公司第一大股东，上海贝岭是 CEC 的主要的模拟电路设计公司。
- 公司产品包括电能计量、电源管理、音频功放、通讯产品、照明电路、烟感电路、MOSFET、MCU 等，主要目标市场为电表、手机、LCD TV、STB，电子玩具及其它消费电子产品。
- 上海贝岭通过投资拥有 4、6、8 英寸集成电路制造资源，与国内外封测厂商建立了长期稳定的合作关系。良好的产业链资源，先进的质量管理体系为我们快速响应市场需求、保证客户竞争力提供了有力保障。
- 来自海外知名设计公司及本土具有丰富正向设计经验的工程师组成贝岭产品设计团队，保证产品设计的优质可靠性。
- 除上海总部，设深圳、出口、北京销售办事处，为客户提供方便快捷的服务。FAE 团队属地支持，帮助客户快速完成产品设计。

>>> >>> >>> 13

Belling Solutions 贝岭解决方案

贝岭 IC 在智能电表中的应用

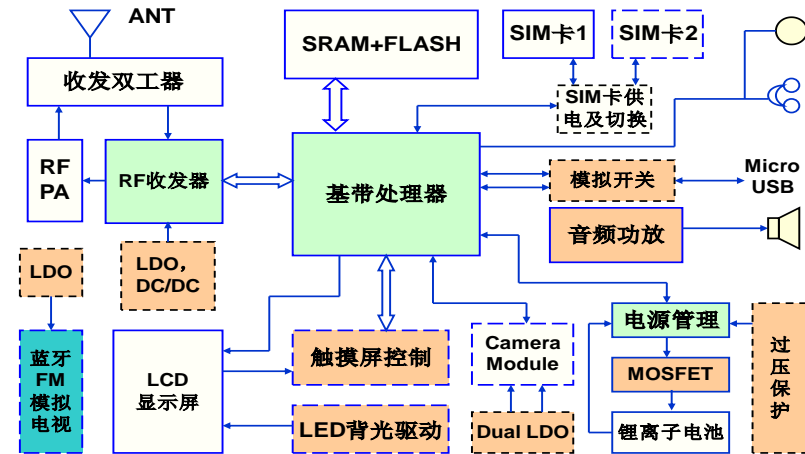


各电表方案选型推荐表

电表方案类型	计量产品	液晶驱动	485 接口
国网单相智能电表方案推荐	BL6523	BL55070/模块	BL3085A
农网单相电表方案 A(经典产品)	BL6503	BL55028/24	BL3085A
农网单相电表方案 B(成本最优)	BL0930	BL55028/24	BL3085A
南网单相智能电表方案推荐	BL6527	BL55070/模块	BL3085A
三相普通有功电表方案	BL6513	BL55066/28	BL3085A
三相多功能表	BL6522	BL55077	BL3085A

注:电表平台新品 BL55087, 时钟模块 BL8025T, 欢迎联系了解。

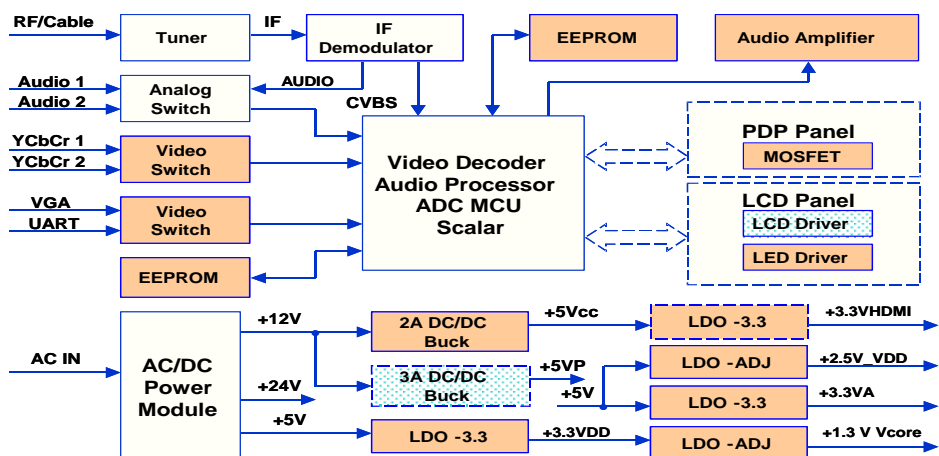
贝岭 IC 在手机中的应用



手机外围 IC 选型表

Category	Part No.	Description	Category	Part No.	Description	
Audio PA	BL6212	1.3W Class AB	LDO	BL8563	300mA	
	BL6213	1.2W Class AB		BL9193	300mA	
	BL6290	1.25W Class AB		BL9198	300mA	
	BL6203	1.25W Fully Differential		BL8063	300mA DFN 1 x 1	
	BL6311B	3W Class D Mono		BL8568	500mA	
	BL6331	3W Class D Non-clip		BL8560	150mA Dual Channel	
	BL6332	3W Class D Non-clip		BL8566	300mA Dual Channel	
Mobile Phone Charger	BL8596	Max 15V		DC-DC	BL9180	300mA Dual Channel
	BL8598	Max 28V			BL8076	2A 3MHZ
	BL8593	Max 650mA	Touch Screen Controller	BL8021	1.2A/7V DC-DC	
	BL8592	Max 15V LDO Mode OVP		BL2046	4-wire Resistive	
LED Backlight Driver	BL8595	18V/1A PNP+NMOS	Analog Switch	BL1551	High Bandwidth SPDT	
	BL8545	Boost		BL4684C	Dual SPDT	
	BL8581A	4 CH Linear Constant		BL1554	4 SPDT	
	BL8584	6 CH Linear Constant		BL1530	USB2.0 DPDT	
	BL8088	8 CH Linear Constant		BL1532	USB2.0 DPDT	
	BL8588	4 CH Charge Pump				

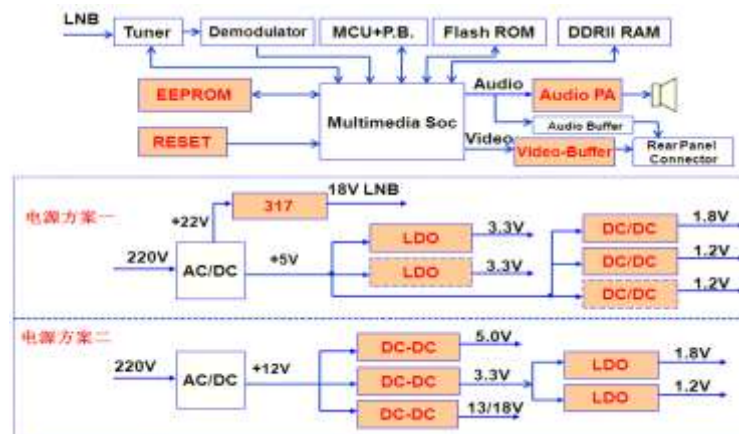
贝岭 IC 在平板电视中的应用



Category	Part No.	Description	Package	
LDO	BL1117	1A Bipolar LDO	SOT223 /TO252	
	BL9110	1A CMOS LDO	SOT223 /TO252	
	BL1084	5A Bipolar LDO	TO252 /TO263	
	BL1085	3A Bipolar LDO	TO252 /TO263	
	DC-DC Buck Converter	BLI9182	2A/18V Sync DC/DC Step-Down	SOP8
BL8091		2A/18V Sync DC/DC Step-Down	SOP8	
BLI9184		3A/18V Sync DC/DC Step-Down	ESOP8	
Reset	BL8509	Voltage Detector, Reset	SOT23-3 /SOT23-5	
EEPROM	BL24C02~256	2K~256 Kbit EEPROM	DIP8 /SOP8/TSSOP8	
Audio PA	BL6352	15W x 2 Class D	TSSOP24	
	Video Switch	BL3257	Quad SPDT Video Switch	SOP16 /SSOP16
		BL1533	Quad SPDT 500MHz	SOP16 /SSOP16
MOSFET	BLM9435	30V 5.4A P-MOSFET	SOP8	
	BLM3401	30V/4A, 51mΩ P-Channel	SOT23-3	
	BLV16N50	500V, 16A, N-Channel	TO-3P	

>>> >>> >>> 15

贝岭 IC 在机顶盒中的应用



Category	Part No.	Description	Package
LDO	BL1117	1A Bipolar LDO	SOT223 /TO252
	BL9110	1A CMOS LDO	SOT223 /TO252
	BL1084	5A Bipolar LDO	TO252 /TO263
	BL1085	3A Bipolar LDO	TO252 /TO263
DC-DC Buck Converter	BLI9182	2A/18V Sync DC/DC Step-Down	SOP8
	BL8021	1.2A/7V Sync DC/DC Step-Down	SOT23-5
	BLI9184	3A/18V Sync DC/DC Step-Down	ESOP8
Reset	BL8509	Voltage Detector, Reset	SOT23-3 /SOT23-5
EEPROM	BL24C02~256	2K~256Kbit EEPROM	DIP8 /SOP8/TSSOP8
Audio PA	BL6212	1.3W Class AB	CSP9
	BL6290	1.25W Class AB	MSOP8, SOP8
	BL6311B	3W Class D	CSP9
Video Buffer	BL1513	3-CH 5th Order Standard Definition Video Filter Driver	SOP8
MOSFET	BLM9435	30V 5.4A P-MOSFET	SOP8
	BLM3401	30V/4A, 51mΩ P-Channel	SOT23-3
	BLV16N50	500V, 16A, N-Channel	TO-3P
Load Switch	BL2553	Max 1.5A Adj. Current Limit Load Switch	DFN2x2-6L, SOT23-5
Voltage Regulator	BL317	1A Adj. 3 Terminal Voltage Regulator	TO220

Index of Part Number 型号索引

BL0306	12	BL24C256	11	BL55077	12	BL8021	1	BL8534	2	BL8593	4	BLM2302	7
BL0921	11	BL24C32	11	BL55087	12	BL8022	1	BL8542B	2	BL8595	4	BLM2305	7
BL0930	11	BL24C64	11	BL5910	13	BL8023	12	BL8545	6	BL8596	4	BLM3401	7
BL1084	4	BL2553	4	BL5912	13	BL8025T	10	BL8546	6	BL8598	4	BLM3401A	7
BL1085	4	BL2555	4	BL5918	13	BL8051	2	BL8552	3	BL8602	9	BLM3407	7
BL1101	8	BL3085A	12	BL5965	13	BL8060	2	BL8553	3	BL9100	3	BLM3407A	7
BL1102	8	BL3085E	12	BL5966	13	BL8063	3	BL8554	3	BL9110	3	BLM4435	7
BL1110A	8	BL3102	12	BL6203	9	BL8064	2	BL8555	2	BL9148	13	BLM4953	7
BL1117	4	BL317	5	BL6211	9	BL8068	3	BL8558	3	BL9149	13	BLM4953A	7
BL1117C	4	BL3207	12	BL6212	9	BL8069	3	BL8559	3	BL9180	3	BLM6005	7
BL1240	8	BL3208	12	BL6213	9	BL8070	8	BL8560	2	BL9193	2	BLM9435	7
BL1302A57	8	BL3257	8	BL6290	9	BL8076	1	BL8563	3	BL9195	2	BLM9435A	7
BL1302A67	8	BL3361	9	BL6305	9	BL8080	5	BL8565	3	BL9198	3	BLV108	7
BL1501	8	BL34018	8	BL6311B	9	BL8088	6	BL8566	3	BL9310	2	BLV1N60	7
BL1502	8	BL3406B	1	BL6312	9	BL8091	1	BL8567	3	BL9328A	2	BLV1N60A	7
BL1511	10	BL34118	8	BL6331	9	BL8305A	6	BL8568	3	BL9328B	2	BLV297	7
BL1513	10	BL34119	9	BL6332	9	BL8308	6	BL8569	3	BL93C46	11	BLV2N60	7
BL1516	10	BL35P02	10	BL6352	9	BL8503	2	BL8572	4	BL93C56	11	BLV40N20	7
BL1530	8	BL35P02R	10	BL6501A	11	BL8504	5	BL8580	6	BL93C66	11	BLV4N60	7
BL1532	8	BL4054	4	BL6503	11	BL8505	2	BL8581	6	BL9580	5	BLV640	7
BL1533	8	BL4054B	4	BL6513	11	BL8506	5	BL8581A	6	BL9581	5	BLV6N60	7
BL1551	8	BL4056	4	BL6522	11	BL8509	5	BL8582	6	BL9582	5	BLV7002	7
BL1554	8	BL431	5	BL6523A(E)	11	BL8516	1	BL8583	6	BLH3355	13	BLV730	7
BL2046	9	BL4684C	8	BL6525	11	BL8519	1	BL8584	6	BLH3356	13	BLV740	7
BL22P02	10	BL4863	9	BL6527	11	BL8521	1	BL8585	6	BLH3356B	13	BLV7N60	7
BL22P14	10	BL4863B	9	BL6533	11	BL8523	1	BL8586	5	BLH4083	13	BLV830	7
BL22P64	10	BL5372	10	BL78LXX	5	BL8526	1	BL8586	6	BLH4083B	13	BLV840	7
BL24C02	11	BL55024	12	BL78M09	5	BL8528B	1	BL8587	6	BLH4901B	13	BLV88N30	7
BL24C04	11	BL55028	12	BL78MXX	5	BL8529	1	BL8588	6	BLH4901C	13	BLVP304	7
BL24C08	11	BL55066	12	BL78XX	5	BL8530	2	BL8589	6	BLI9182	1	PM1299A	4
BL24C128	11	BL55070	12	BL8003	12	BL8530C	2	BL8591	2	BLI9184	1	XX1188	4
BL24C16	11	BL55076	12	BL8003L	12	BL8532	6	BL8592	4	BLM2301	7		

 上海贝岭股份有限公司
Shanghai Belling Co., Ltd.

<http://www.belling.com.cn> E-mail: market@belling.com.cn

代理商：上海泽兆电子科技有限公司

TEL: 021-54179891 FAX: 021-64124572

HTTP: //www.zeztek.com

EMAIL: elibinxiong@zeztek.com

